



Yuasa Ficha Técnica

Yuasa YB10L-A2 - Yumicron Batería

Rendimiento

Tensión	12V
Capacity (10-hour)	11Ah
Capacidad (20 horas)	11.6Ah
CCA @ -18°C	120A

Dimensions (±2mm)

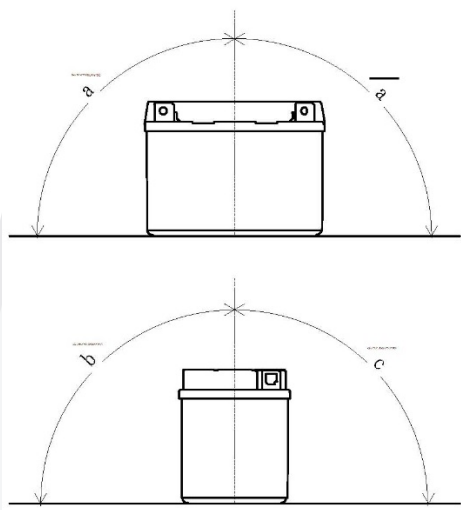
Largo	135mm
Ancho	90mm
Alto	145mm

Peso

Peso con Acido	4.2kg
Volumen de acido	0.8l

Mounting Angle

Angle A	Vertical only
Angle B	-
Angle C	-

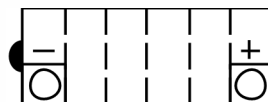


Tecnología

Tecnología Separadores

Cast Sb/Sb
Synthetic Resin+Glass Fiber

Esquema



Tipo de terminal - 8



Fecha de emision: 14/03/2017 - E&EO



Yuasa Technical Data Sheet

Yuasa YB10L-A2 - YuMicron Battery

Performance

Voltage	12V
Capacity (10-hour)	11Ah
Capacity (20-hour)	11.6Ah
CCA @ -18°C	120A

Dimensions (±2mm)

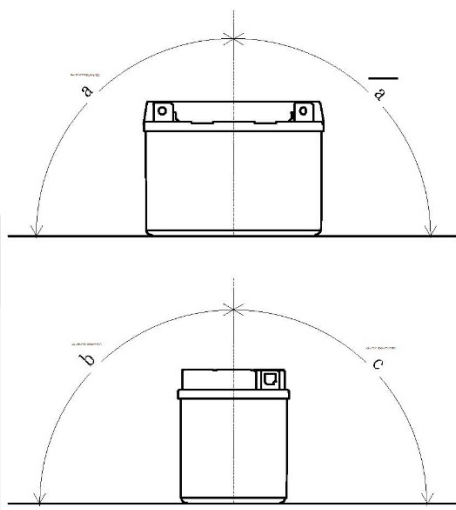
Length	135mm
Width	90mm
Height	145mm

Weights & Measures

Mean Weight with Acid	4.2kg
Acid Volume	0.8l

Mounting Angle

Angle A	Vertical only
Angle B	-
Angle C	-



Technology

Technology	Cast Sb/Sb
Separator	Synthetic Resin+Glass Fiber

Cell Assembly Layout



Terminal Type - 8



Data Sheet generated on 14/03/2017 - E&OE