



Yuasa Ficha Técnica

Yuasa YTX14-BS - Maintenance Free Batería

Rendimiento

Tensión	12V
Capacity (10-hour)	12Ah
Capacidad (20 horas)	12.6Ah
CCA @ -18°C	200A

Dimensions (±2mm)

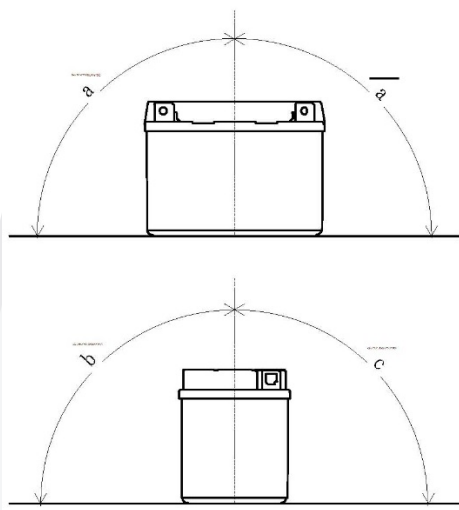
Largo	150mm
Ancho	87mm
Alto	145mm

Peso

Peso con Acido	4.6kg
Volumen de acido	0.69l

Mounting Angle

Angle A	30°
Angle B	20°
Angle C	20°

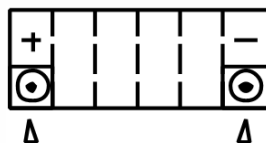


Tecnología

Tecnología Separadores

Cast Ca/Ca
AGM

Esquema



Tipo de terminal - 5



Fecha de emision: 08/03/2017 - E&EO



Yuasa Technical Data Sheet

Yuasa YTX14-BS - Maintenance Free Battery

Performance

Voltage	12V
Capacity (10-hour)	12Ah
Capacity (20-hour)	12.6Ah
CCA @ -18°C	200A

Dimensions (±2mm)

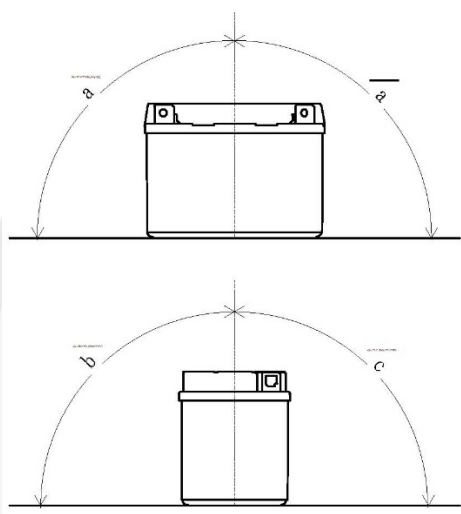
Length	150mm
Width	87mm
Height	145mm

Weights & Measures

Mean Weight with Acid	4.6kg
Acid Volume	0.69l

Mounting Angle

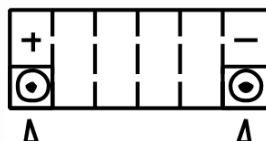
Angle A	30°
Angle B	20°
Angle C	20°



Technology

Technology	Cast Ca/Ca
Separator	AGM

Cell Assembly Layout



Terminal Type - 5



Data Sheet generated on 08/03/2017 - E&OE