



Yuasa Ficha Técnica

Yuasa YTZ10S - High Performance Maintenance Free Batería

Rendimiento

Tensión	12V
Capacity (10-hour)	8.6Ah
Capacidad (20 horas)	9.1Ah
CCA @ -18°C	190A

Dimensions (±2mm)

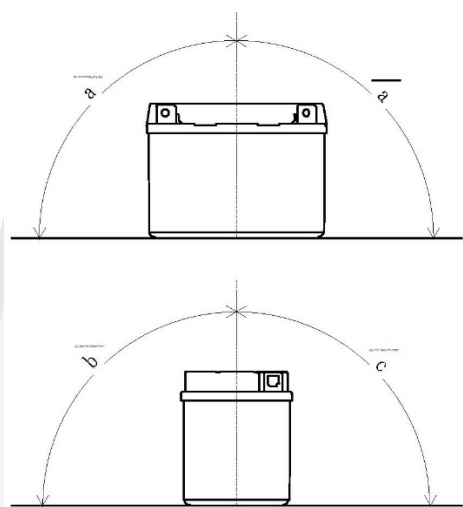
Largo	150mm
Ancho	87mm
Alto	93mm

Peso

Peso con Acido	3.2kg
----------------	-------

Mounting Angle

Angle A	40°
Angle B	90°
Angle C	15°

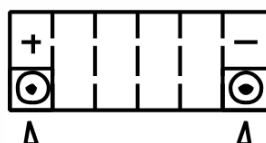


Tecnología

Tecnología Separadores

Exp Ca/Ca
AGM

Esquema



Tipo de terminal - 11



Fecha de emision: 08/03/2017 - E&EO



Yuasa Technical Data Sheet

Yuasa YTZ10S - High Performance Maintenance Free Battery

Performance

Voltage	12V
Capacity (10-hour)	8.6Ah
Capacity (20-hour)	9.1Ah
CCA @ -18°C	190A

Dimensions (±2mm)

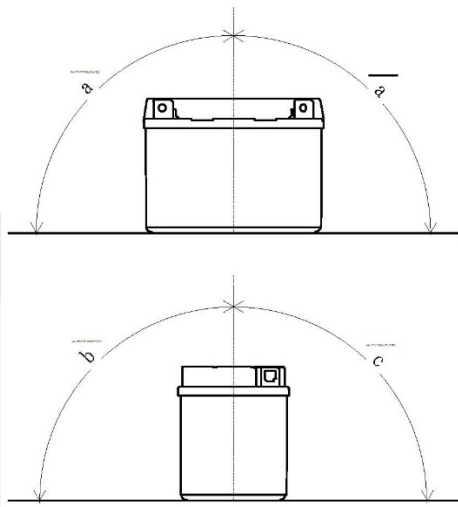
Length	150mm
Width	87mm
Height	93mm

Weights & Measures

Mean Weight with Acid	3.2kg
-----------------------	-------

Mounting Angle

Angle A	40°
Angle B	90°
Angle C	15°

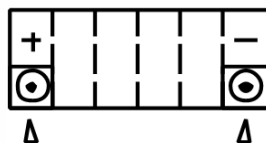


Technology

Technology
Separator

Exp Ca/Ca
AGM

Cell Assembly Layout



Terminal Type - 11



Data Sheet generated on 08/03/2017 - E&OE