



Yuasa Ficha Técnica

Yuasa YTZ7S - High Performance Maintenance Free Batería

Rendimiento

Tensión	12V
Capacity (10-hour)	6Ah
Capacidad (20 horas)	6.3Ah
CCA @ -18°C	130A

Dimensions (±2mm)

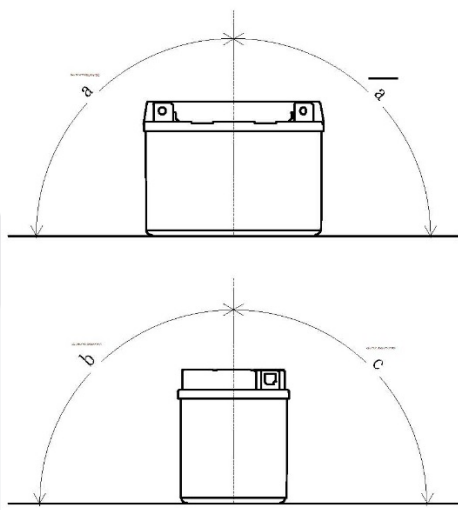
Largo	113mm
Ancho	70mm
Alto	105mm

Peso

Peso con Acido	2.1kg
----------------	-------

Mounting Angle

Angle A	40°
Angle B	90°
Angle C	15°

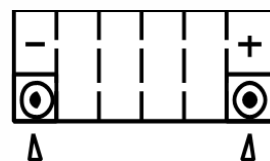


Tecnología

Tecnología Separadores

Exp Ca/Ca
AGM

Esquema



Tipo de terminal - 5



Fecha de emision: 08/03/2017 - E&EO



Yuasa Technical Data Sheet

Yuasa YTZ7S - High Performance Maintenance Free Battery

Performance

Voltage	12V
Capacity (10-hour)	6Ah
Capacity (20-hour)	6.3Ah
CCA @ -18°C	130A

Dimensions (±2mm)

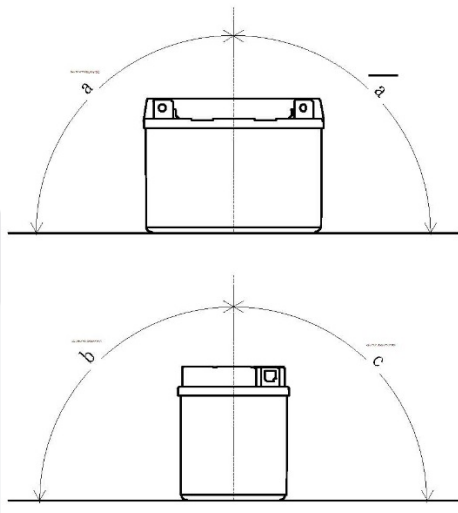
Length	113mm
Width	70mm
Height	105mm

Weights & Measures

Mean Weight with Acid	2.1kg
-----------------------	-------

Mounting Angle

Angle A	40°
Angle B	90°
Angle C	15°



Technology

Technology
Separator

Exp Ca/Ca
AGM

Cell Assembly Layout



Terminal Type - 5



Data Sheet generated on 08/03/2017 - E&OE